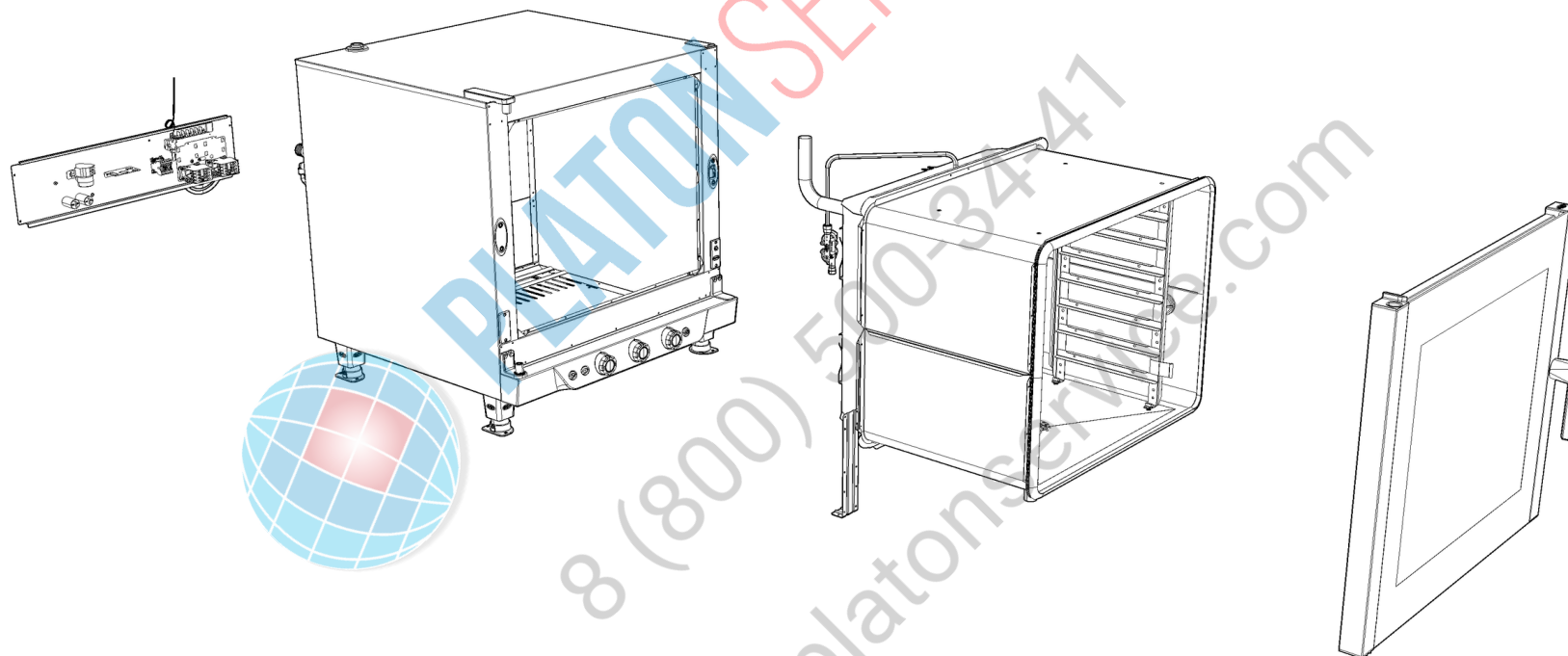
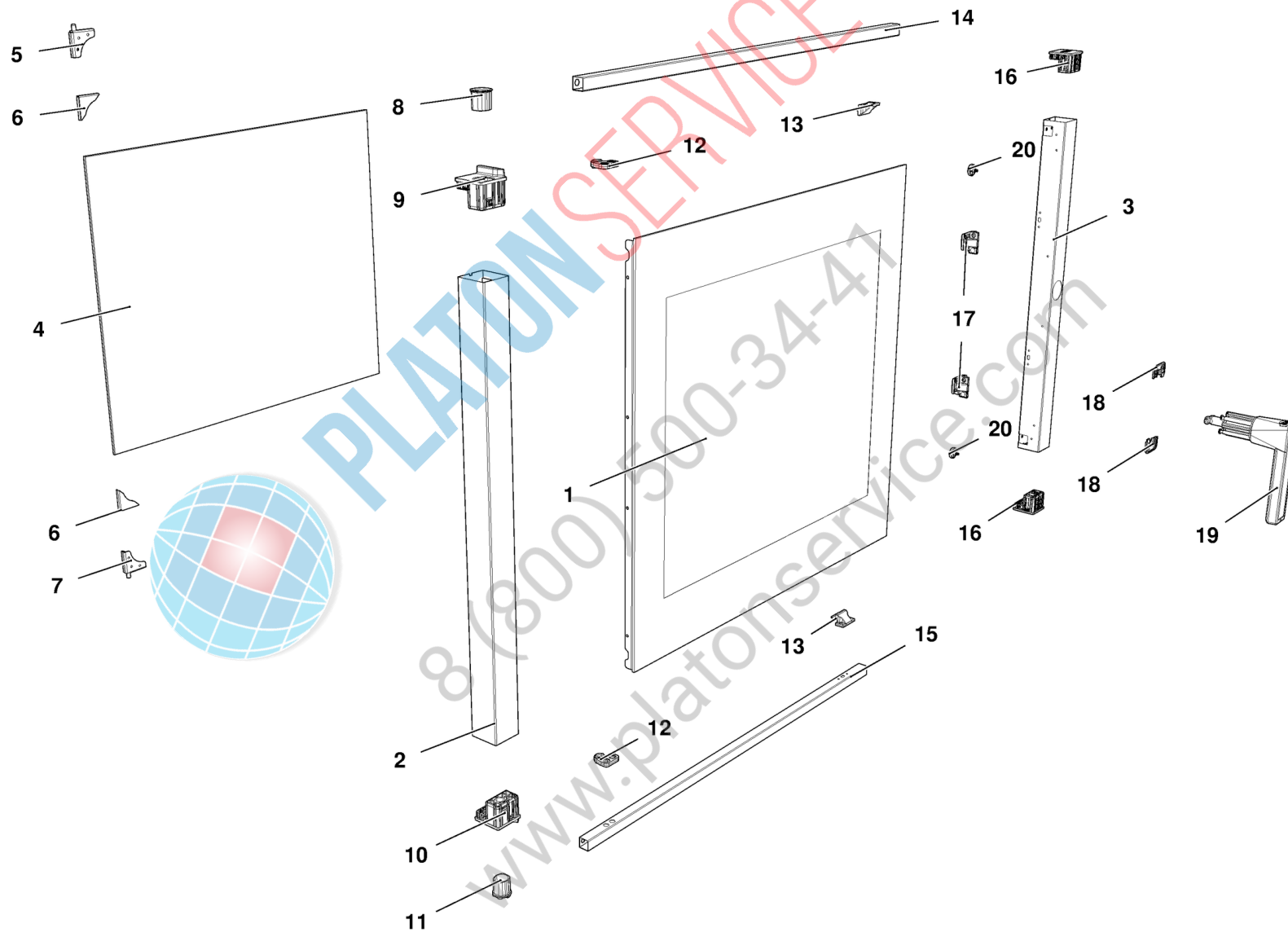


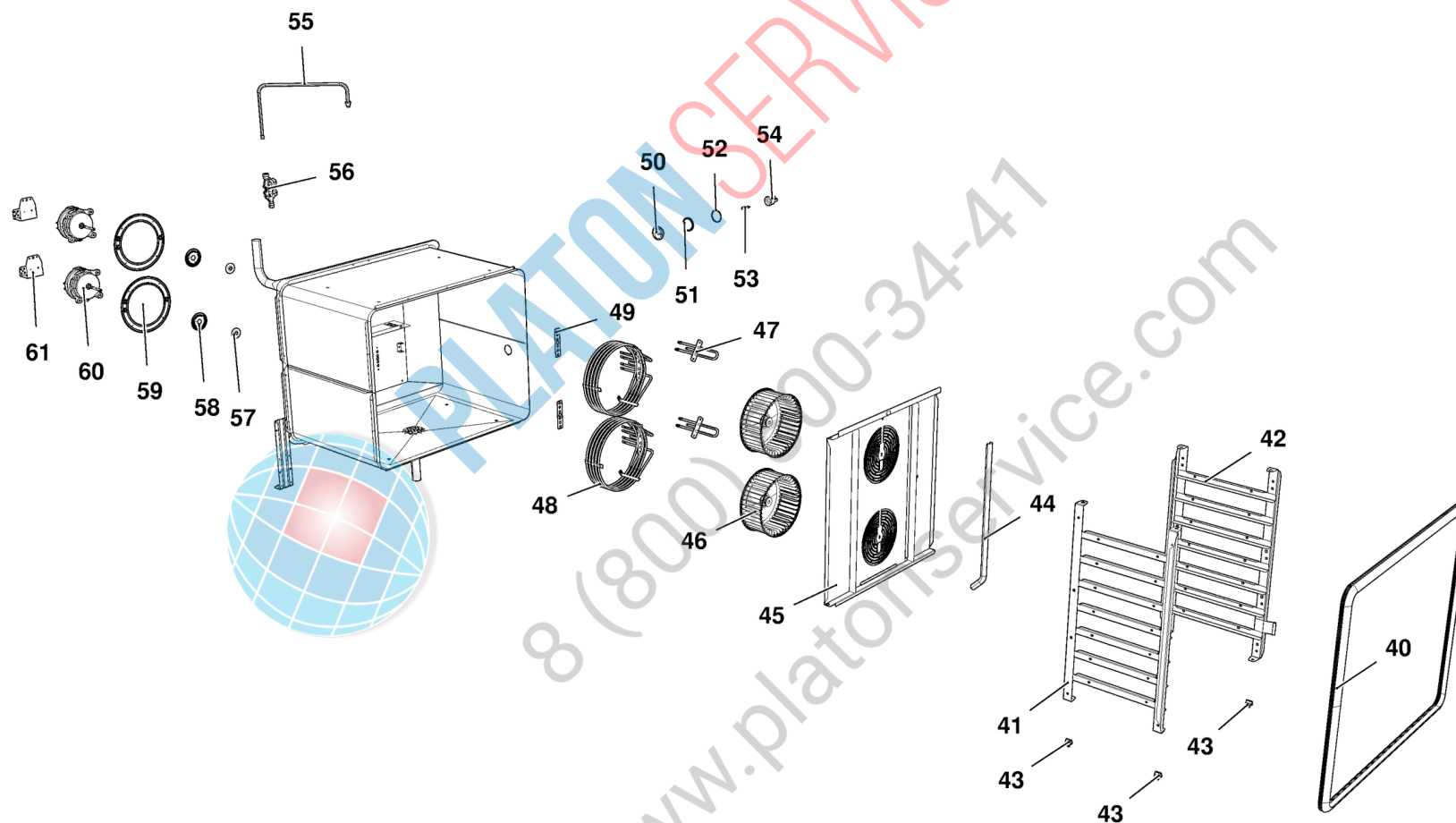
# MOD:XV593



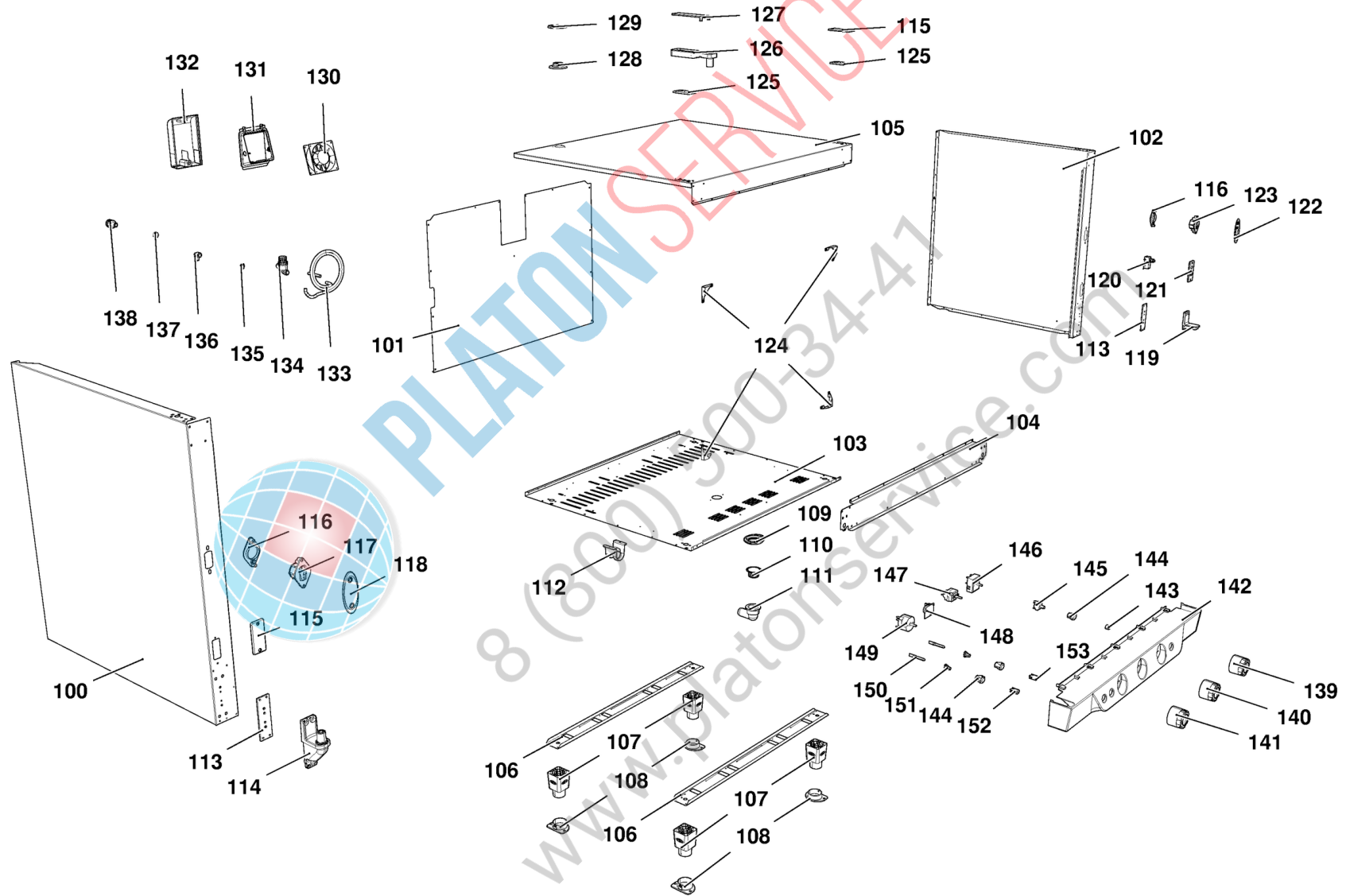
# MOD:XV593



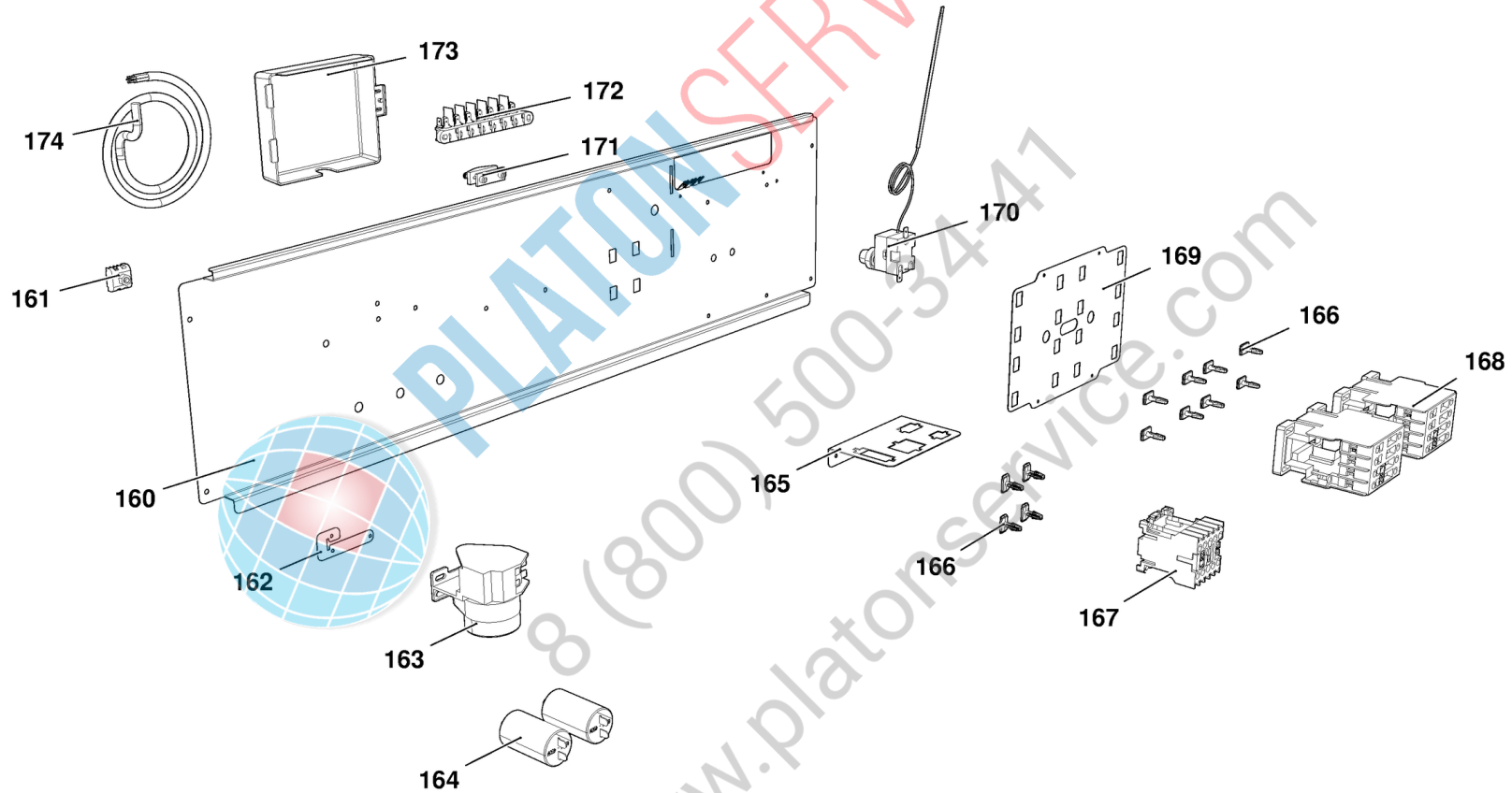
# MOD:XV593



# MOD:XV593



# MOD:XV593



IT

## Descrizione codici

1	VT1255A	VETRO ESTERNO XB69- XC59-
2	TB2383A	COLONNINA SX BAKERLUX 6TG 50x50x1.2
3	TB2382A	COLONNINA DX BAKERLUX 6TG 50x50x1.2
4	VT1135A	VETRO INTERNO 743X620X6 BETFL
5	CR1085A	CERNIERA VETRO INT INOX SUP
6	GN1181A	GUARNIZIONE CERN VETRO INT CR1085-1086
7	CR1086A	CERNIERA VETRO INT INOX INF
8	VM1511A	BOCCOLA LISCIA PERNO PORTA CHEFFTOP
9	VM1977A	TAPPO FULCRO SUPERIORE PORTA CL BL
10	VM1978A	TAPPO FULCRO INFERIORE PORTA CL BL
11	VM1510A	BOCCOLA SCANALATA PERNO PORTA XBC/XVC
12	VM1680A	CERNIERA APERTURA VETRO INTERNO
13	VM2043A	SUPPORTO VETRO SUP - INF
14	TB2384B	LISTELLO SUPERIORE BL CL 20x20x1
15	TB2404A	LISTELLO INFERIORE BL CL 20x20x1
16	VM1976A	TAPPO ESTETICO COLONNINA PORTA CL BL
17	VM2042A	ASSIEME CHIUSURA VETRO INTERNO LAT
18	VM1490A	COPRI VITI MANIGLIA CHEFTOP BAKERTOP
19	VM1180B	IMPUGNATURA MANIGLIA CT BT
20	VM2008A	DISTANZIALE PER MICROPORTA MECC
40	GN1342B	GN1000B-GUARNIZIONE PORTA XBC604-605
41	GRL1226A	SUPPORTO LAT. SX 7 GN1/1 XVC505/515G
42	GRL1225A	SUPPORTO LAT. DX 7 GN1/1 XVC505/515G
43	VM1820A	NOTTOLINO M6 CROMATO FISS. SUPPORTI
44	TB2215A	TUBO INTERNO UMIDITA' XB69- XV59- Ø16x1
45	OG1474A	CARTER PUNTATO XB69- XV59-
46	VN1030A	VENTOLA D196 H81 39 PALE DADO M8
47	RS1261A	RESISTENZA MOTORE BAKERLUX\CHEFLUX
48	RS1150A	RESISTENZA CIRC. D=230 5 SPIRE
49	GN1327A	GUARNIZIONE RES. 100X22
50	VT1195A	VETRO COPRILAMPADA BOROSILICATO TEMPRATO

51	GN1065A	GUARNIZIONE PORTALAMPADA DE=53.2
52	GN1055A	OR 46x2 VMQ 70 ROSSO
53	VE1005A	LAMPADA HALOPIN 25W
54	VE1015A	PORTA LAMPADA SERIE 2 PER LAMPADA
55	TB1515A	TUBO EST. UMIDITA' + RC1165A0
56	EL1361A	ELETTRIVALVOLA TRI-STADIO JG D8-D10
57	GN1140A	GUARNIZIONE PORTAMOTORE STAMP.
58	OH4305A	DISCO TENUTA ALBERO MOTORE INOX STP
59	OH3586A	LAMIERA PROTEZIONE MOTORE ZINCATO
60	VN1130A	MOTORE FORNO 330W 230V 50/60HZ
61	OH4851A	STAFFA CABLAGGIO CT BT -
100	OD2207A	FIANCO SX LUX
101	OF1468A	SCHIENA ZINCATA XB69- XV59-
102	OD2208A	FIANCO DX LUX
103	OE1331B	FONDO ZINCATO BAKERLUX CHEFLUX
104	OH6240A	LAMIERA CRUSCOTTO BAKERLUX CHEFLUX
105	OD2125A	COPERCHIO BAKERLUX CHEFLUX
106	OH6395A	LONGHERONE BT S.5-E
107	PD1066B	PIEDE H100 PLASTICA BICOMPONENTE
108	PD1063A	STAFFA BLOCCAGGIO PIEDE CT BT
109	VM2039A	ANELLO FISSAGGIO CURVA DI SCARICO
110	GN1400A	GUARNIZIONE SIFONE
111	VL1026A	CURVA PER TUBO DI SCARICO
112	VM2035A	SUPPORTO PER TUBO DI SCARICO
113	OH6333A	CONTROSTAFFA PORTA FILETTATA BL CL
114	VM1975A	STAFFA INFERIORE SOSTEGNO PORTA
115	VM1195A	PIASTRINA COPRIFORI XVC204/304/504/704
116	VM1192A	COPERCHIO SCROCCO MANIGLIA CT BT
117	VM1191A	SCROCCO MANIGLIA SX CT BT
118	VM1461A	COPERCHIO SX SCROCCO PORTA XBC/XVC
119	VM1974A	PIASTRINA CHIUSURA CRUSCOTTO

120	VE1295A	MICROINTERRUTTORE PORTA MK 16A 230V UL
121	VM1200A	PIASTRINA SUPPORTO MICROPORTA MECCANICO
122	VM1460A	COPERCHIO DX SCROCCO PORTA XBC/XVC
123	VM1190A	SCROCCO MANIGLIA DX CT BT
124	OH1450A	ANGOLO FACCIATA MUFFOLA INOX XB-XV-XG
125	OH2560A	CONTROSTAFFA ZINCATA PORTA C.T.
126	VM1165B	STAFFA SUPERIORE PORTA CT BT
127	VM1166A	COPERCHIO STAFFA SUPERIORE PORTA
128	GN1275A	GUARNIZIONE CAMINO SILICONE NERO XVC
129	OH3790A	LAMIERA TENUTA CAMINO
130	VN1162A	VENTOLA 230V BL CL
131	VM1555A	SUPPORTO VENTOLA RAFFREDDAMENTO CT BT
132	VM1556A	PROTEZIONE VENTOLA RAFFREDDAMENTO CT-BT
133	TB2237A	TUBO Ø10 ALLACCIAMENTO RETE
134	VL1034A	FILTRO ACQUA Ø10 MESH100
135	EL1349A	CLIP BLOCCA PINZETTA RACCORDI D10
136	RC1360A	RACCORDO GOMITO JG 10-10
137	GN1200A	GUARNIZIONE D=24 RACCORDO 3/4 GOMMA
138	RC1365A	RACCORDO JG FEMMINA 3/4"-10
139	MN1113A	MANOPOLA UMIDITA CHEFLUX BAKERLUX
140	MN1111A	MANOPOLA TERMOSTATO CHEFLUX BAKERLUX
141	MN1112A	MANOPOLA TIMER CHEFLUX BAKERLUX
142	VM1972A	CRUSCOTTO BAKERLUX/CHEFLUX MECCANICO
143	VM2007A	TASTO ARGENTO OPACO VELOCITA VENTOLA
144	VM2009A	SUPPORTO ELLITTICO D16 ARGENTO
145	VE1561A	PULSANTE BIPOLARE NA/NA
146	VE1556A	REGOLATORE ENERGIA 240V
147	TR1100A	TERMOSTATO REG. 269°C 55.19052.80
148	TM1001C	SUONERIA ELETTRONICA 15 SEC 120V
149	TM1005A	TIMER MI2 60 MIN 250V 16A
150	VE1535A	LED BIANCO 230V

151	VM1762A	SUPPORTO LAMPADA INTERNO
152	VE1585A	GEMMA ELLITTICA AZZURRA SINUSOIDE ORO
153	VE1530A	GEMMA ELLITTICA AZZURRA TERMOMETRO ORO
160	OH6770A	SUPPORTO COMPONENTI BL CL MANUAL
161	VM1750A	MORSETTIERA A PETTINE
162	OH6346A	LAMIERINO FISSAGGIO INVERTITORE
163	VE1555A	INVERTITORE DI MARCIA
164	VE1110A	CONDENSATORE 6,3 µF 450VAC 50/60Hz
165	OH6769A	LAMIERA FISSAGGIO CONNETTORI
166	VM1075A	CLIP DI FISSAGGIO PER TELERUTTORI
167	VE1115A	MINICONTATTORE QUADRIPOLE 20 A 230 V
168	VE1095A	TELERUTTORE GE 25A 230V 50/60
169	OH6361A	LAMIERA FISSAGGIO TELERUTTORI
170	TR1136A	TERMOSTATO SIC. UNIP. 330°C
171	VE1075A	PRESSACAVO FV 268 RO+VITI FISSAGGIO
172	MR1004A	MORSETT. 7FTW GV V0 VL CU 1+2+3/4+5+6
173	VM1310A	SCATOLA COPRI MORSETTIERA XB/XV/XVC/XG
174	CE1460A	CAVO 5X4MMQ H07RN-F L=1,8MT

# MOD:XV593



EN

## Codes descriptions

1	VT1255A	XB69- XC59- EXTERNAL GLASS
2	TB2383A	BAKERLUX XB693-695 DOOR LEFT COLUMN
3	TB2382A	BAKERLUX XB693-695 DOOR RIGHT COLUMN
4	VT1135A	INTERNAL GLASS 743x620x6 XBC604
5	CR1085A	INTERNAL GLASS UPPER HINGE
6	GN1181A	INTERNAL GLASS HINGE SEAL
7	CR1086A	INTERNAL GLASS LOWER HINGE
8	VM1511A	XBC/XVC SLEEK DOOR PIN BUSHING
9	VM1977A	CL BL DOOR UPPER FULCRUM-CAP
10	VM1978A	CL BL DOOR LOWER FULCRUM-CAP
11	VM1510A	XBC/XVC GROOVED DOOR PIN BUSHING
12	VM1680A	INTERNAL GLASS HINGE
13	VM2043A	UPPER - LOWER GLASS SUPPORT
14	TB2384B	BAKERLUX CHEFLUX DOOR UPPER LISTEL
15	TB2404A	BAKERLUX CHEFLUX DOOR LOWER LISTEL
16	VM1976A	CL BL DOOR COLUMN BLANKING CAP
17	VM2042A	INTERNAL GLASS LATERAL LOCKING SYSTEM
18	VM1490A	CHEFTOP/BAKERTOP HANDLE SCREWS COVER
19	VM1180B	HANDLE HAFT CT BT
20	VM2008A	SPACER FOR MICROSWITCH
40	GN1342B	DOOR GASKET GN1000B FOR XBC604-605
41	GRL1226A	7 GN1/1 LEFT LATERAL SUPPORT
42	GRL1225A	7 GN1/1 RIGHT LATERAL SUPPORT
43	VM1820A	LATERAL SUPPORTS M6 FIXING BOLTS
44	TB2215A	XB69- XV59- HUMIDITY INTERNAL PIPE Ø16x1
45	OG1474A	XB69- XV59- FAN GUARD
46	VN1030A	MOTOR FAN D196 H81 39 BLADE NUT M8
47	RS1261A	BAKERLUX\CHEFLUX BREAKING FAN ELEMENT
48	RS1150A	CIRC.HEAT. ELEMENT D=230 5 TURNS
49	GN1327A	HEATING ELEMENT GASKET 100X22X0.8
50	VT1195A	BOROSILICATE LIGHT BULB GLASS COVER
51	GN1065A	SEAL FOR LAMP GLASS COVER (PURE
52	GN1055A	OR 46x2 VMQ 70 RED
53	VE1005A	HALOGEN LAMP 33W ENERGY SAVER
54	VE1015A	LAMP HOLDER SERIE 2 FOR HALOGEN LAMP
55	TB1515A	EXTERNAL WATER PIPE + RC1165A0
56	EL1361A	J.G. THREE-STAGE SOLENOID VALVE D8-D10
57	GN1140A	MOLDED MOTOR SUPPORT GASKET
58	OH4305A	ST. STEEL MOTOR SHAFT SEALING DISC
59	OH3586A	ZINCATE MOTOR GUARD PLATE XBC-XVC
60	VN1130A	330W 230V 50/60HZ MOTOR
61	OH4851A	BT CT WIRING SUPPORT BRACKET
100	OD2207A	CHEF-BAKERLUX EXTERNAL LEFT SIDE PANEL
101	OF1468A	XB69- XV59- EXTERNAL BACK PANEL
102	OD2208A	CHEF-BAKERLUX EXTERNAL RIGHT SIDE PANEL
103	OE1331B	CHEFLUX-BAKERLUX EXTERNAL BOTTOM PANEL
104	OH6240A	BAKERLUX CHEFLUX ST. STEEL CONTROL PANEL
105	OD2125A	BAKERLUX CHEFLUX COVER
106	OH6395A	S. 5-E BAKERTOP FEET BRACKET
107	PD1066B	BI-COMPONENT FOOT H100
108	PD1063A	CT BT FOOT STOP BRACKET
109	VM2039A	DRAIN BEND FIXING RING
110	GN1400A	U-TRAP SEAL
111	VL1026A	BEND FOR DRAIN PIPE
112	VM2035A	DRAIN PIPE SUPPORT
113	OH6333A	BL CL THREADED DOOR COUNTER BRACKET
114	VM1975A	DOOR SUPPORT LOWER BRACKET
115	VM1195A	HOLES BLANKING PLATE XVC204/304/504/704
116	VM1192A	CT BT DOOR SPRING LATCH COVER
117	VM1191A	CT BT LEFT DOOR SPRING LATCH
118	VM1461A	XBC/XVC LEFT DOOR LATCH CAP
119	VM1974A	BOARD CLOSING PLATE
120	VE1295A	DOOR MICROSWITCH MK 16A 230V UL
121	VM1200A	DOOR MECHANIC MICROSWITCH SUPPORT PLATE
122	VM1460A	XBC/XVC RIGHT DOOR LATCH CAP
123	VM1190A	CT BT RIGHT DOOR SPRING LATCH
124	OH1450A	XB-XV-XG ST. STEEL MUFFLE FRONT CORNER
125	OH2560A	XBC/XVC ZINC PLAT. DOOR COUNTERBRACKET
126	VM1165B	CT BT DOOR UPPER BRACHET
127	VM1166A	CAP FOR DOOR UPPER STIRRUP XVC204/304/5
128	GN1275A	XBC/XVC BLACK CHIMNEY SEALING
129	OH3790A	CHIMNEY HOLDING PLATE
130	VN1162A	CHEFLUX-BAKERLUX FAN 230V
131	VM1555A	CT BT COOLING DOWN FAN SUPPORT
132	VM1556A	XBC-XVC COOLING FAN GUARD
133	TB2237A	Ø10 WATER MAIN CONNECTION PIPE
134	VL1034A	Ø10 MESH100 WATER FILTER
135	EL1349A	CLIP TO FIX Ø10 mm CONNECTION JOINT
136	RC1360A	10 - 10 JG ELBOW FITTING
137	GN1200A	3/4 CONNECTION SEAL D=24 RUBBER+NET
138	RC1365A	3/4"-10 JG FEMALE CONNECTION
139	MN1113A	CHEFLUX BAKERLUX HUMIDITY CONTROL KNOB
140	MN1111A	CHEFLUX BAKERLUX THERMOSTAT KNOB
141	MN1112A	CHEFLUX BAKERLUX TIMER KNOB
142	VM1972A	BAKERLUX/CHEFLUX MANUAL CONTROL PANEL
143	VM2007A	FAN SPEED SILVER BUTTON
144	VM2009A	ELLIPTICAL SILVER SUPPORT D16
145	VE1561A	BIPOLAR SWITCH NA/NA
146	VE1556A	THERMAL SWITCH 240V
147	TR1100A	269°C ADJUSTABLE THERMOSTAT 55.19052.80
148	TM1001C	ELECTRONIC BUZZER 15 SEC 120V
149	TM1005A	TIMER MI2 60 MIN 250V 16A
150	VE1535A	WHITE LED 230V
151	VM1762A	INNER LAMP SUPPORT
152	VE1585A	BLUE LIGHT COVER GOLD SINUSOID
153	VE1530A	BLUE LIGHT COVER GOLD THERMOMETER
160	OH6770A	BL CL MANUAL ELECTRIC COMPONENTS HOLDER
161	VM1750A	TERMINAL BOARD
162	OH6346A	INVERTER FIXING PLATE
163	VE1555A	REVERS.SWITCH MOTOR P19.5J.02.H6.17
164	VE1110A	CONDENSER 6,3 µF 450VAC 50/60Hz
165	OH6769A	CONNECTORS FIXING PANEL
166	VM1075A	PLASTIC CLIP TO FIX CONTACTORS
167	VE1115A	MINICONTACTOR WITH 4 POLES 20 A 230 V
168	VE1095A	REMOTE CONTROL SWITCH GE 25A 230V
169	OH6361A	REMOTE CONTROL SWITCH FIXING PANEL
170	TR1136A	SAFETY THERMOSTAT UNIP. 330°C
171	VE1075A	WIRE CLAMP FV 268 RO + FIXING SCREWS
172	MR1004A	TERMINAL 7FTW GV V0 VL CU 1+2+3/4+5+6
173	VM1310A	COVER FOR TERMINAL BOX XB/XV/XVC/XG
174	CE1460A	CABLE 5X4MMQ H07RN-F L=1,8MT